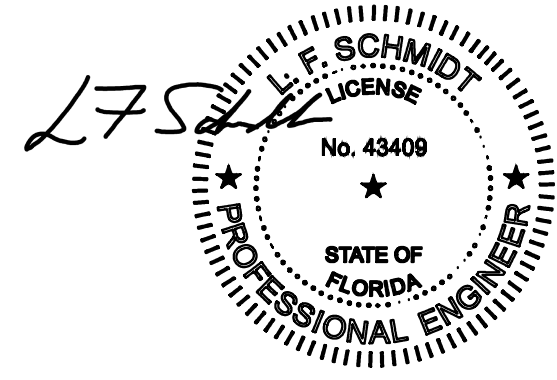


# THERMA-TRU<sup>®</sup> DOORS

Fiber-Classic<sup>®</sup> & Smooth-Star<sup>®</sup>



This item has been digitally signed and sealed by L. F. Schmidt, P.E. on the date adjacent to the seal. Printed copies of this document are not considered signed and sealed and the signature must be verified on any electronic copies.

THIS PRODUCT APPROVAL IS VALID ONLY FOR THE STATE OF FLORIDA

Documents Prepared By:  
Lyndon F. Schmidt  
P.E. No. 43409

*RW* BUILDING CONSULTANTS, INC.  
P.O. Box 230, Valrico, FL 33595  
Phone No.: 813.659.9197  
FBPE Registry No. 9813

## WOOD EDGE OPAQUE FIBERGLASS SINGLE DOOR IN SWING/OUT SWING "IMPACT"

### GENERAL NOTES

1. This product has been evaluated and is in compliance with the 8th Edition (2023) Florida Building Code (FBC) structural requirements excluding the "High Velocity Hurricane Zone" (HVHZ).
2. Product anchors shall be as listed and spaced as shown on details. Anchor embedment to base material shall be beyond wall dressing or stucco.
3. When used in areas requiring wind borne debris protection this product complies with FBC Sections 1609.1.2 & R301.2.1.2 and does not require an impact resistant covering. This product meets missile level "D" and includes Wind Zone 4 as defined in ASTM E1996 and FBC Sections 1609.1.2.2 & R301.2.1.2.1.
4. For 2x stud framing construction, anchoring of these units shall be the same as that shown for 2x buck masonry construction.
5. Site conditions that deviate from the details of this drawing require further engineering analysis by a licensed engineer or registered architect.
6. Fiber-Classic & Smooth-Star Door panels require the use of "J" part numbers and must be stained or painted within six months of installation.

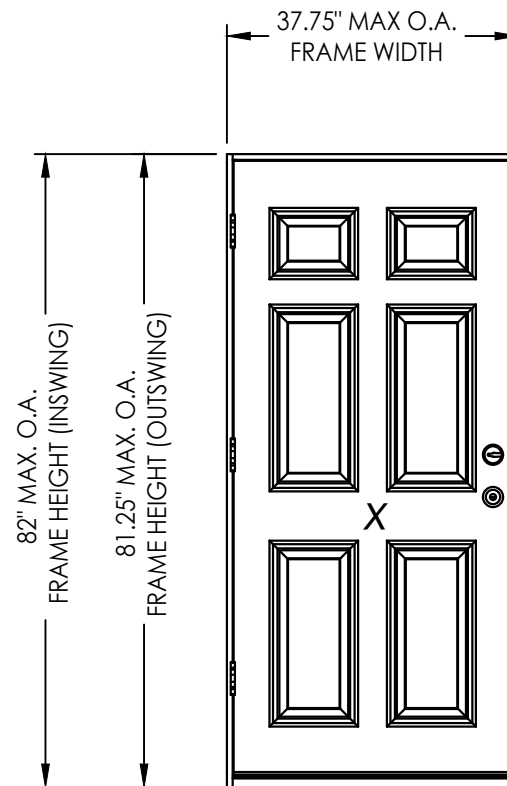
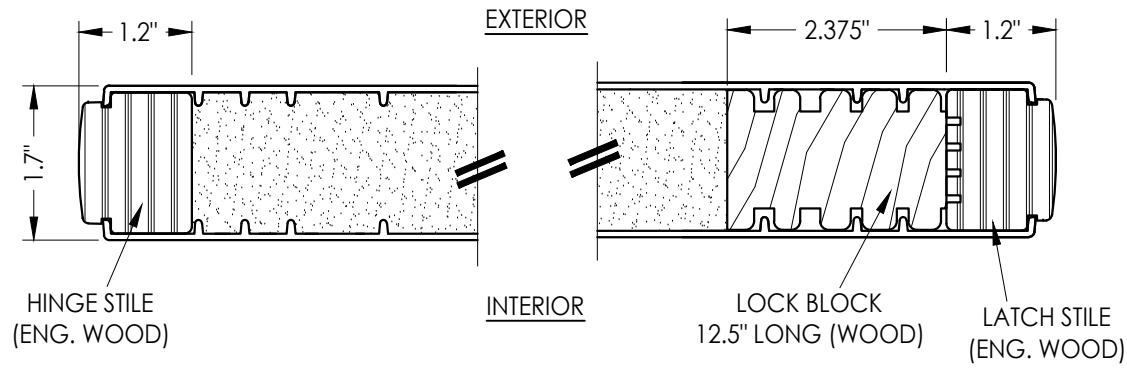


TABLE OF CONTENTS	
SHEET#	DESCRIPTION
1	Typical Elevations, Design Pressures & General Notes
2	Door Panel Details
3	Elevations
4	Horizontal & Vertical Cross Sections (2X Buck)
5	Horizontal & Vertical Cross Sections (1X Buck)
6	Horizontal & Vertical Cross Sections (Direct to Masonry)
7	Vertical Cross Sections (Thresholds)
8	Buck & Frame Anchoring
9	Hardware Details
10	Components
11	Components & Bill of Materials

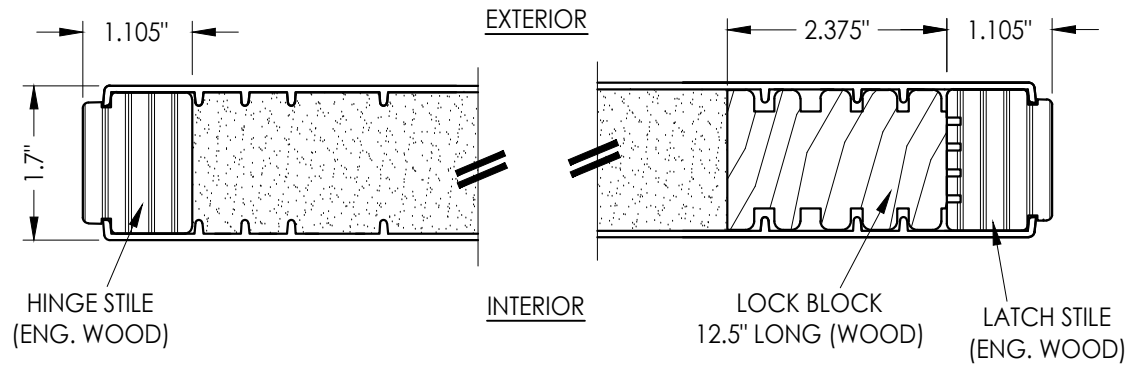
CONFIGURATION	LOCK HARDWARE	DESIGN PRESSURE (PSF) IN SWING		DESIGN PRESSURE (PSF) OUT SWING	
		POSITIVE	NEGATIVE	POSITIVE	NEGATIVE
X	Latch & Deadbolt	+67.0	-67.0	+67.0	-67.0
X	Multipoint	+50.0	-50.0	+50.0	-50.0

See Sheet 3 for Hardware Specifications

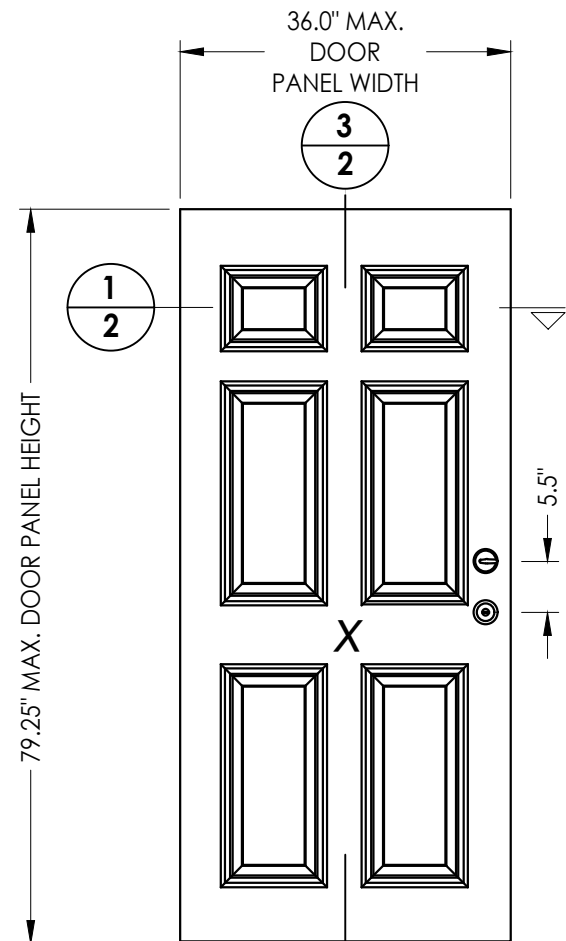
PRODUCT:		PART OR ASSEMBLY:		REVISIONS	
THERMA-TRU FIBERGLASS DOOR		TYPICAL ELEVATION, DESIGN PRESSURES & GENERAL NOTES			
4	8/22/23	UPDATE TO 8TH ED. (2023)	FBC	LFS	
3	7/15/20	UPDATE TO 7th ED (2020)	FBC	PO	
2	10/09/18	REV. DOOR PANEL OPTION	NOTE	MT	
1	11/15/17	RECESSED PANEL	NOTATION	JK	
	NO. DATE			BY	
DATE: 12/19/16					
SCALE: N.T.S.					
DWG. BY: JK					
CHK. BY: LFS					
DRAWING NO.: FL-21138.1					
SHEET 1 OF 11					



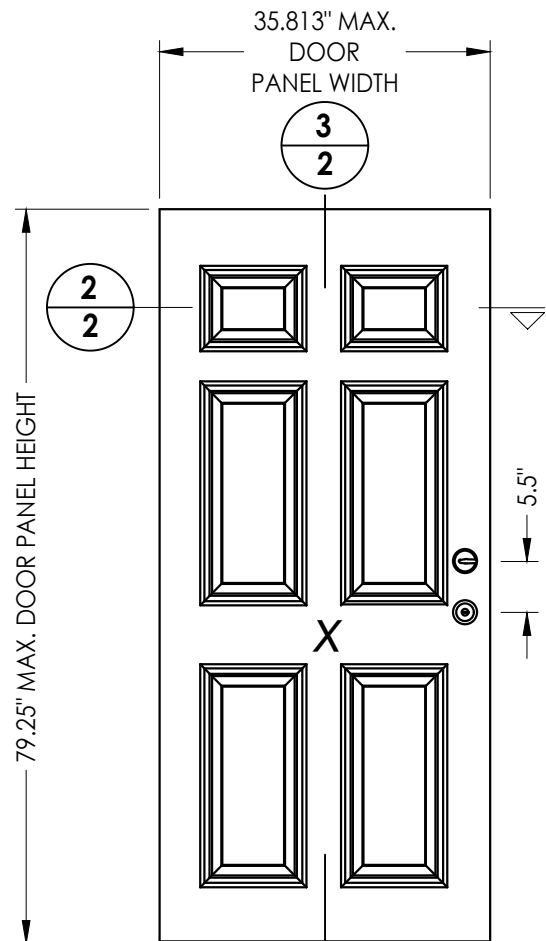
**1**  
**2** HORIZONTAL CROSS SECTION



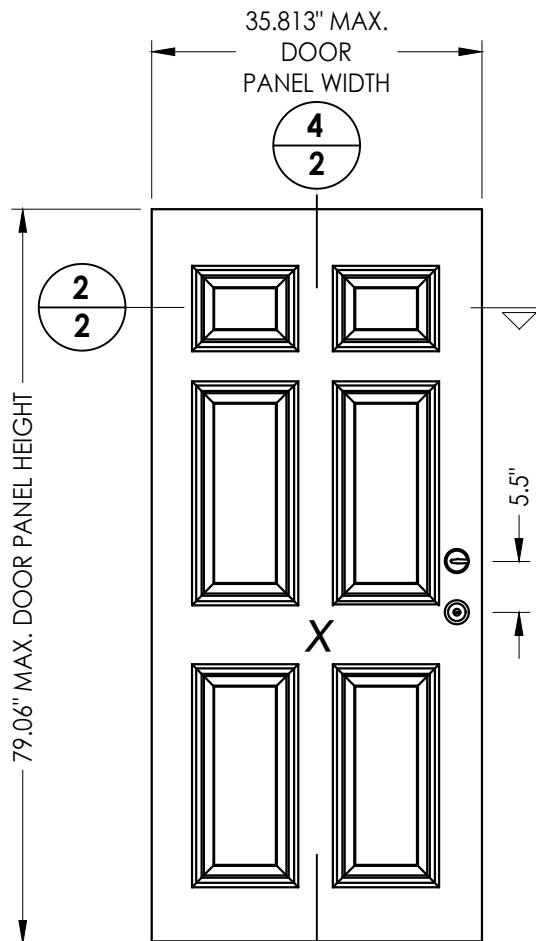
**2**  
**2** HORIZONTAL CROSS SECTION



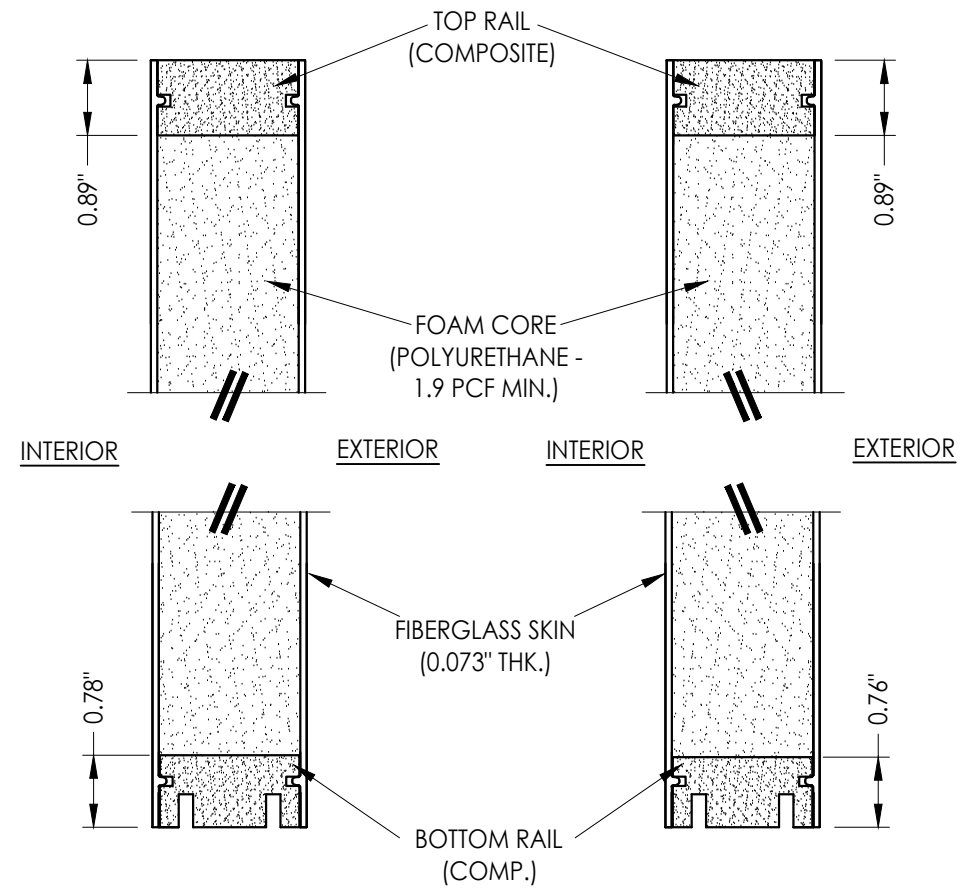
**40** DOOR PANEL BOOK



**41** DOOR PANEL Hybrid Door



**42** DOOR PANEL U1 Door



**3**  
**2** VERTICAL CROSS SECTION

**4**  
**2** VERTICAL CROSS SECTION

Documents Prepared By:  
Lyndon F. Schmidt  
P.E. No. 43409

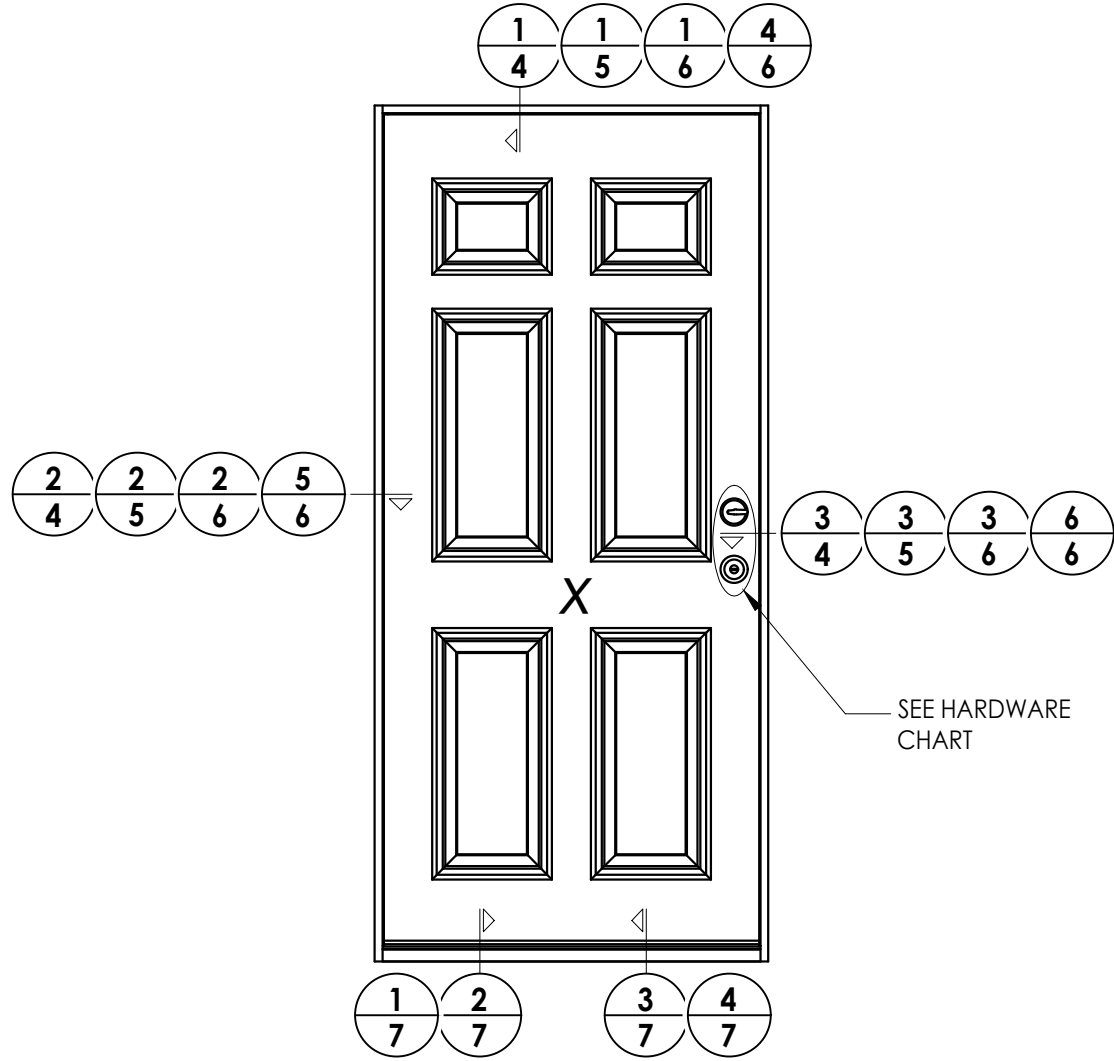
**RW** BUILDING CONSULTANTS, INC.  
P.O. Box 230, Valrico, FL 33595  
Phone No.: 813.659.9197  
FBPE Registry No. 9813

PRODUCT:  
THERMA-TRU  
FIBERGLASS DOOR

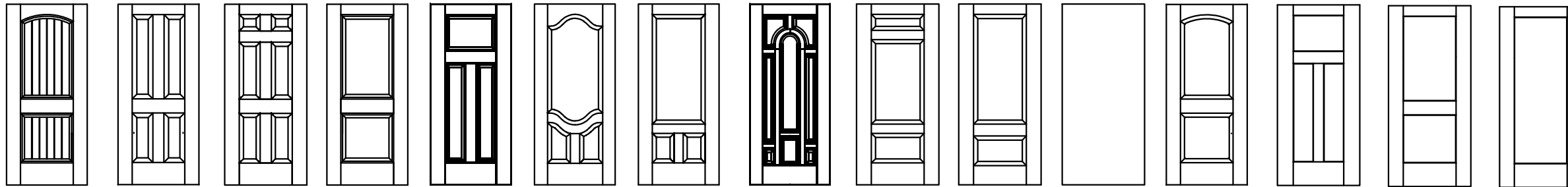
PART OR ASSEMBLY:  
DOOR PANEL DETAILS

NO.	DATE	REVISIONS
4	8/22/23	UPDATE TO 8TH ED. (2023) FBC
3	7/15/20	UPDATE TO 7TH ED (2020) FBC
2	10/09/18	REV. DOOR PANEL OPTION NOTE
1	11/15/17	RECESSED PANEL NOTATION

DATE: 12/19/16  
SCALE: N.T.S.  
DWG. BY: JK  
CHK. BY: LFS  
DRAWING NO.: FL-21138.1  
SHEET 2 OF 11



HARDWARE TABLE	
MANUFACTURER	MODEL
SCHLAGE	KNOB: F51 DEADBOLT: B60
KWIKSET	KNOB: SIGNATURE SERIES DEADBOLT: SIGNATURE SERIES (980)
HOPPE (THERMA-TRU)	MULTIPOINT : MPDGART (3 pt. Manual Tongue)



**Fiber-Classic/Smooth-Star Door Panel Options**

Products approved include all embossed and recessed panel doors.  
 Similar opaque panel configurations are allowed.  
 Panels shown are for illustration and are representative only.

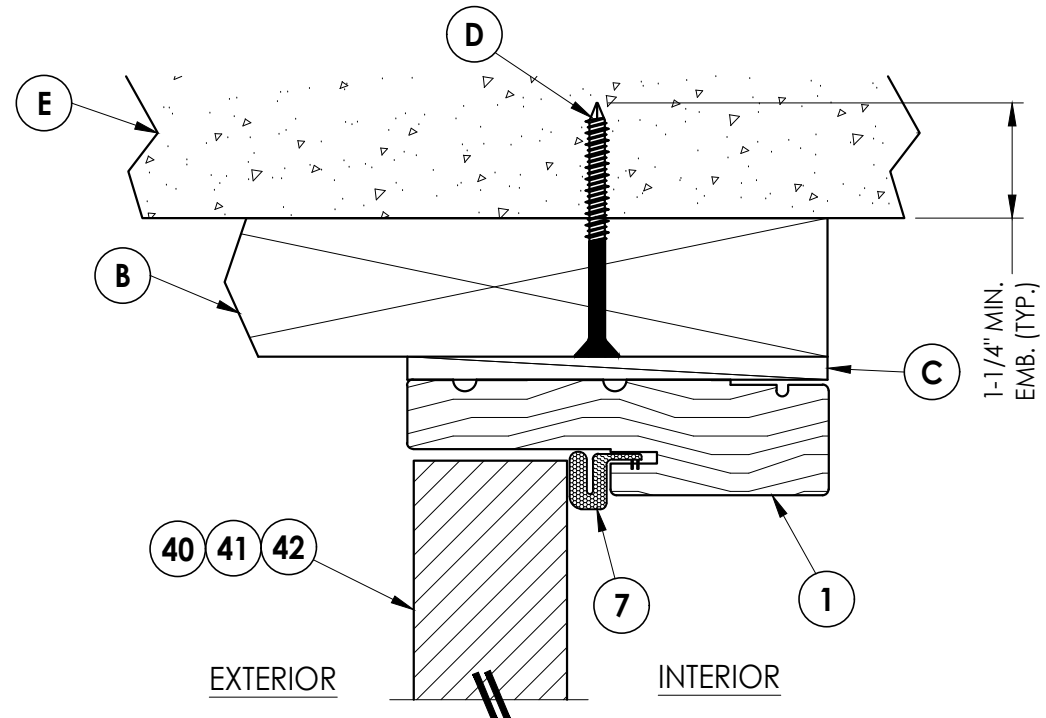
REVISIONS	
NO.	DATE
4	8/22/23 UPDATE TO 8TH ED. (2023) FBC LFS
3	7/15/20 UPDATE TO 7th ED (2020) FBC PO
2	10/09/18 REV. DOOR PANEL OPTION NOTE MT
1	11/15/17 RECESSED PANEL NOTATION JK
	BY

DATE:	12/19/16
SCALE:	N.T.S.
DWG. BY:	JK
CHK. BY:	LFS
DRAWING NO.:	FL-21138.1
SHEET	3 OF 11

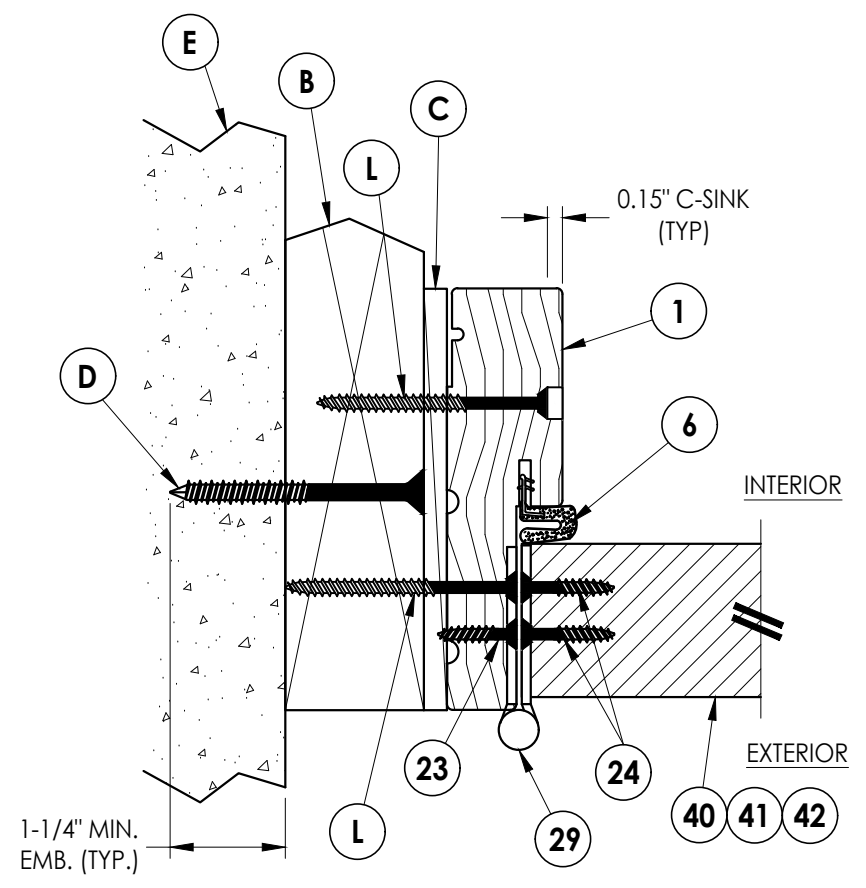
PRODUCT:	THERMA-TRU FIBERGLASS DOOR
PART OR ASSEMBLY:	ELEVATIONS

Documents Prepared By:  
 Lyndon F. Schmidt  
 P.E. No. 43409

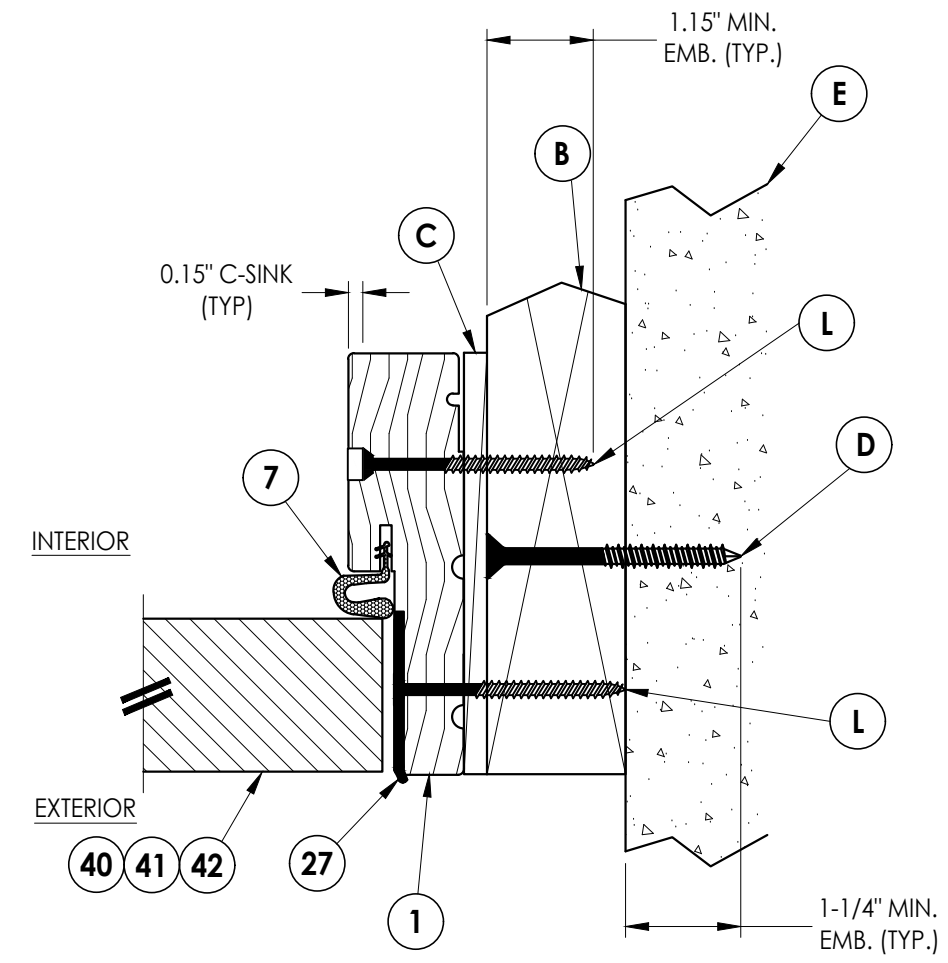
*RW* BUILDING CONSULTANTS, INC.  
 P.O. Box 230, Valrico, FL 33595  
 Phone No.: 813.659.9197  
 FBPE Registry No. 9813



**1 VERTICAL CROSS SECTION**  
**4** Shown w/ 2X Buck  
 Outswing shown (Inswing similar)



**2 HORIZONTAL CROSS SECTION**  
**4** Shown w/ 2X Buck  
 Outswing shown (Inswing similar)



**3 HORIZONTAL CROSS SECTION**  
**4** Shown w/ 2X Buck  
 Outswing shown (Inswing similar)

Documents Prepared By:  
 Lyndon F. Schmidt  
 P.E. No. 43409

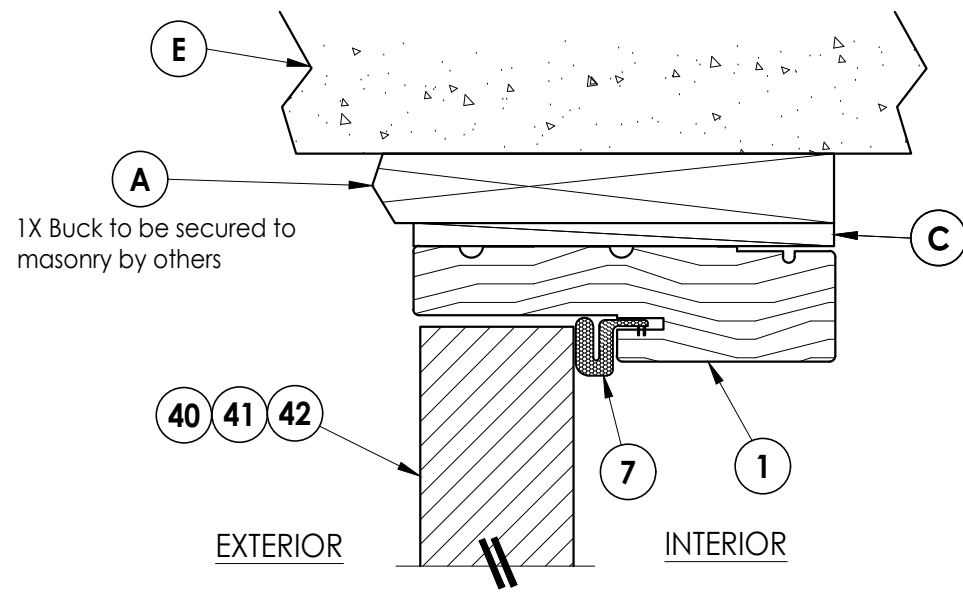
**RW** BUILDING CONSULTANTS, INC.  
 P.O. Box 230, Valrico, FL 33595  
 Phone No.: 813.659.9197  
 FBPE Registry No. 9813

PRODUCT:  
 THERMA-TRU  
 FIBERGLASS DOOR

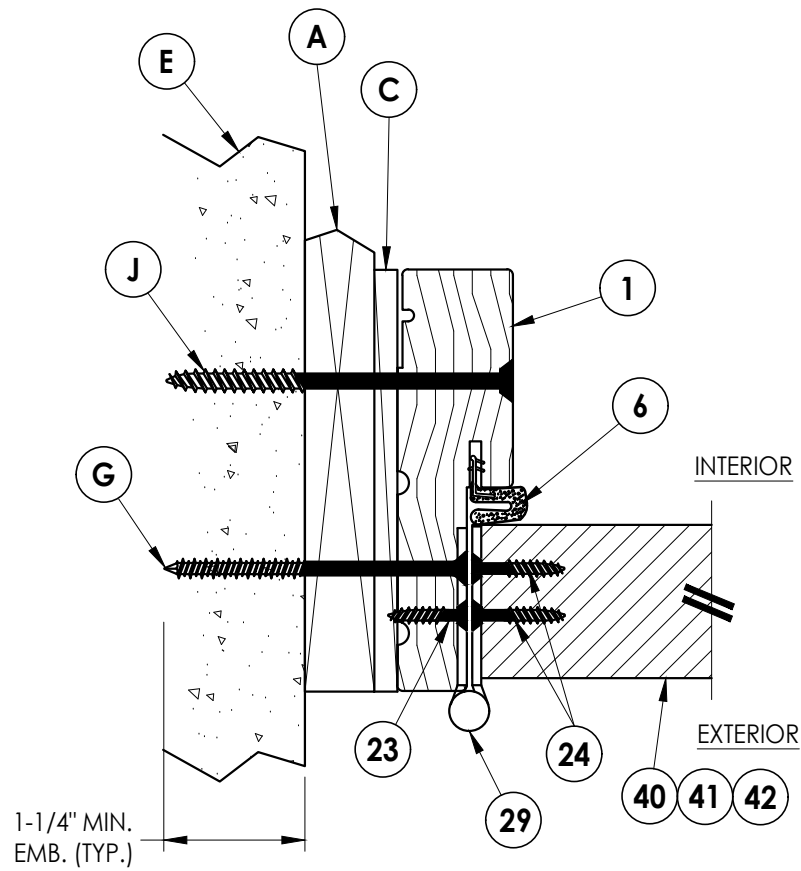
PART OR ASSEMBLY:  
 HORIZONTAL & VERTICAL  
 CROSS SECTIONS (2X BUCK)

NO.	DATE	REVISIONS	BY
4	8/22/23	UPDATE TO 8TH ED. (2023) FBC	LFS
3	7/15/20	UPDATE TO 7th ED (2020) FBC	PO
2	10/09/18	REV. DOOR PANEL OPTION NOTE	MT
1	11/15/17	RECESSED PANEL NOTATION	JK

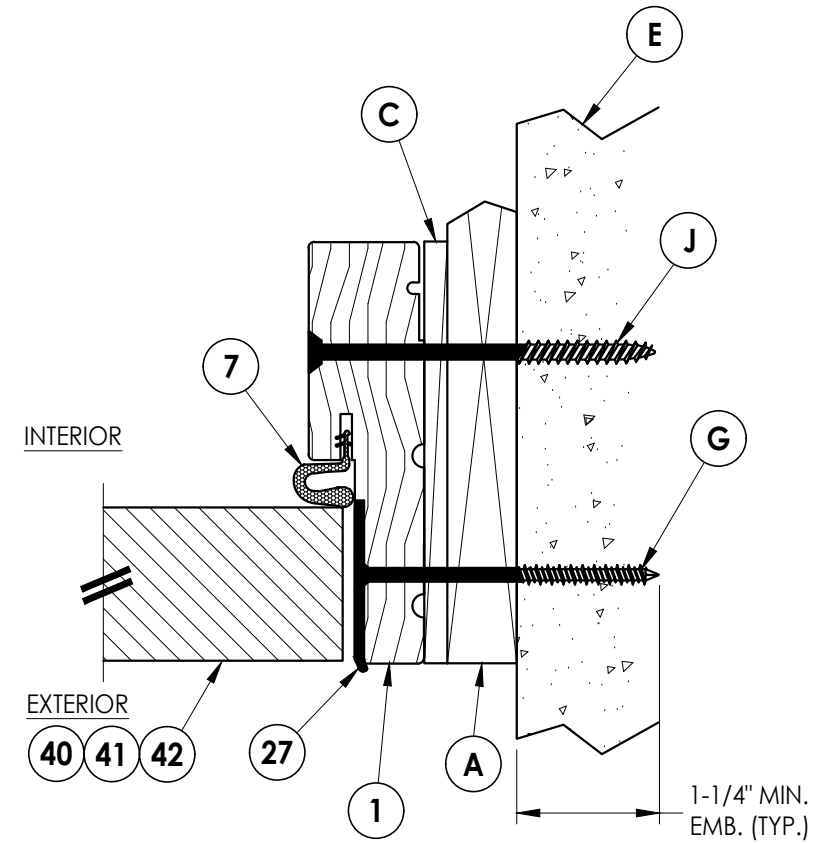
DATE: 12/19/16  
 SCALE: N.T.S.  
 DWG. BY: JK  
 CHK. BY: LFS  
 DRAWING NO.: FL-21138.1  
 SHEET 4 OF 11



**1 VERTICAL CROSS SECTION**  
**5** Shown w/ 1X sub-buck  
 Outswing shown (Inswing similar)



**2 HORIZONTAL CROSS SECTION**  
**5** Shown w/ 1X sub-buck  
 Outswing shown (Inswing similar)



**3 HORIZONTAL CROSS SECTION**  
**5** Shown w/ 1X sub-buck  
 Outswing shown (Inswing similar)

Documents Prepared By:  
 Lyndon F. Schmidt  
 P.E. No. 43409

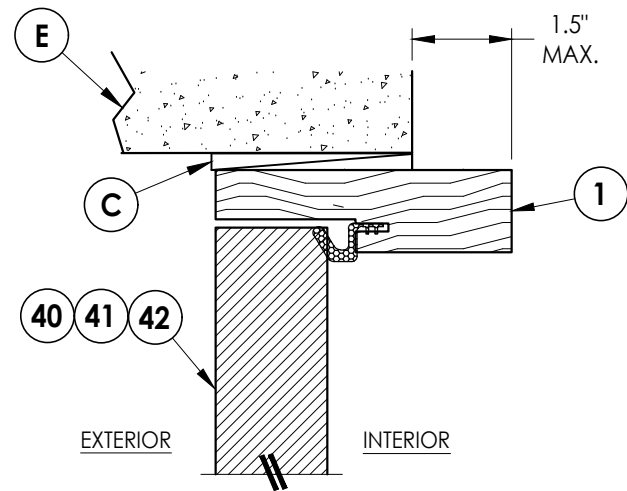
**RW** BUILDING CONSULTANTS, INC.  
 P.O. Box 230, Valrico, FL 33595  
 Phone No.: 813.659.9197  
 FBPE Registry No. 9813

PRODUCT:  
 THERMA-TRU  
 FIBERGLASS DOOR

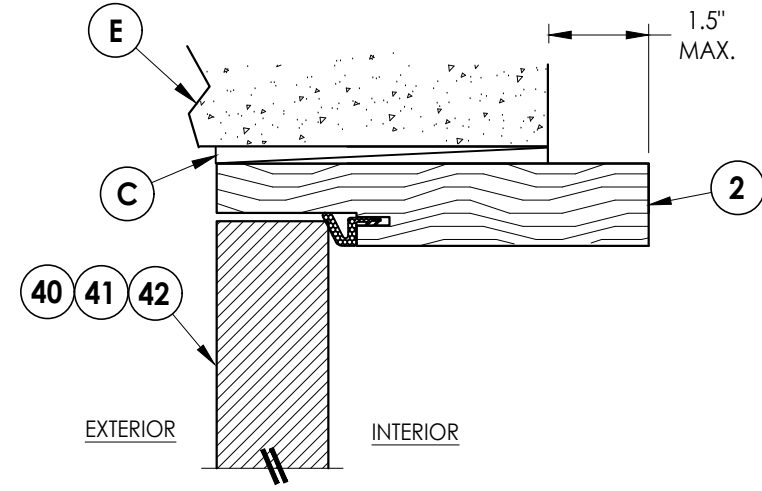
PART OR ASSEMBLY:  
 HORIZONTAL & VERTICAL  
 CROSS SECTIONS (1X BUCK)

NO.	DATE	REVISIONS
4	8/22/23	UPDATE TO 8TH ED. (2023) FBC LFS
3	7/15/20	UPDATE TO 7th ED (2020) FBC PO
2	10/09/18	REV. DOOR PANEL OPTION NOTE MT
1	11/15/17	RECESSED PANEL NOTATION JK
		BY

DATE: 12/19/16  
 SCALE: N.T.S.  
 DWG. BY: JK  
 CHK. BY: LFS  
 DRAWING NO.:  
 FL-21138.1  
 SHEET 5 OF 11

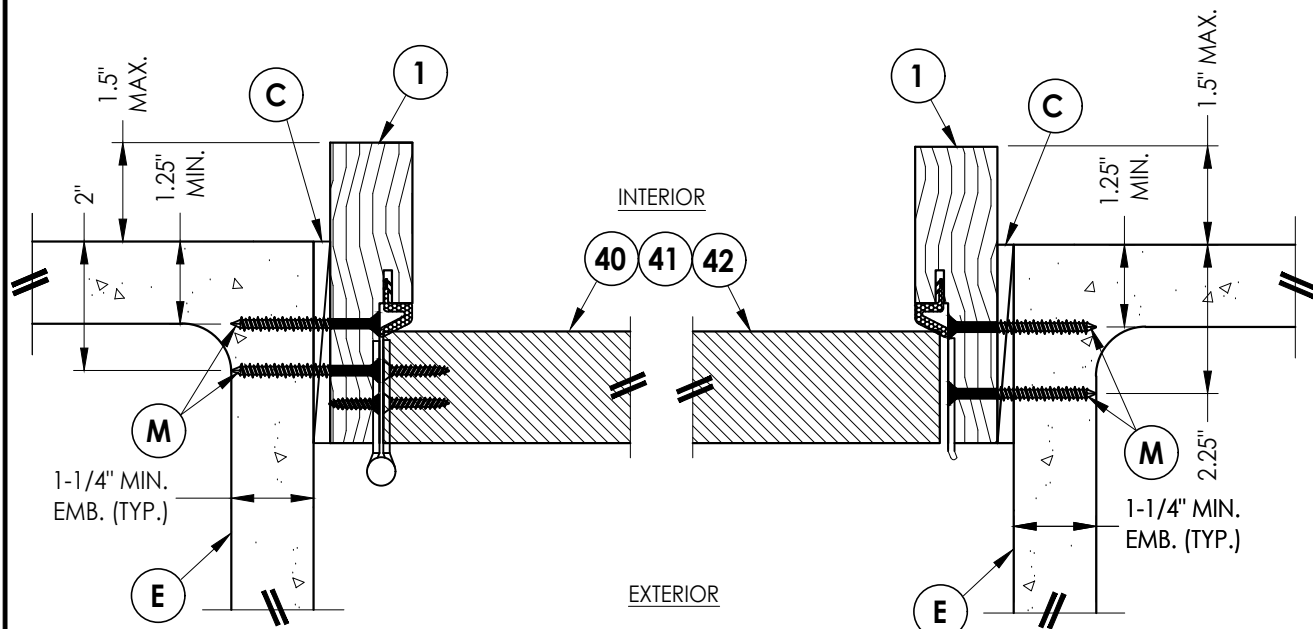


**1** **VERTICAL CROSS SECTION**  
**6** Shown Direct to Masonry  
 Outswing only w/ 4-9/16" jamb



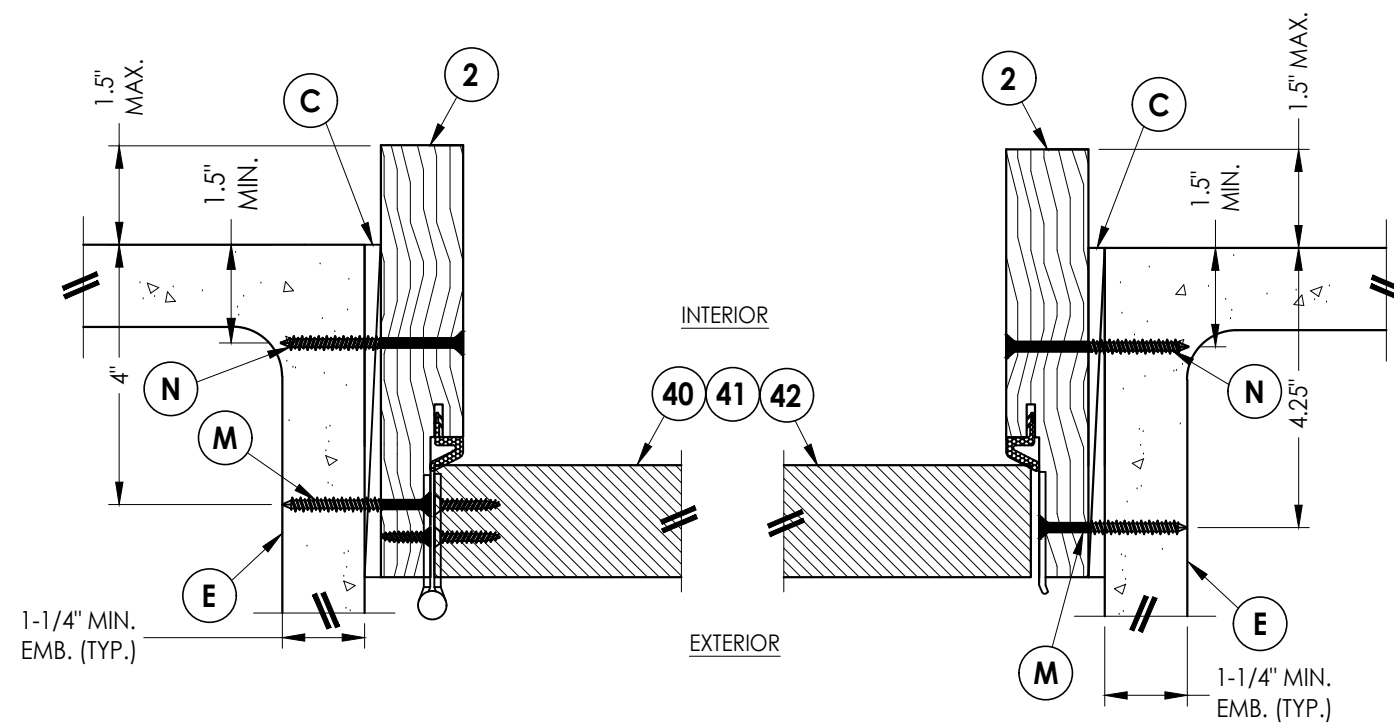
**4** **VERTICAL CROSS SECTION**  
**6** Shown Direct to Masonry  
 Outswing only w/ 6-9/16" jamb

DIRECT TO MASONRY MAX. DESIGN PRESSURE:  
 w/ STANDARD STRIKE = ± 55 PSF  
 w/ SECURITY STRIKE = ± 65 PSF



**2** **HORIZONTAL CROSS SECTION**  
**6** Shown Direct to Masonry  
 Outswing only w/ 4-9/16" jamb

**3** **HORIZONTAL CROSS SECTION**  
**6** Shown Direct to Masonry  
 Outswing only w/ 4-9/16" jamb



**5** **HORIZONTAL CROSS SECTION**  
**6** Shown Direct to Masonry  
 Outswing only w/ 6-9/16" jamb

**6** **HORIZONTAL CROSS SECTION**  
**6** Shown Direct to Masonry  
 Outswing only w/ 6-9/16" jamb

Documents Prepared By:  
 Lyndon F. Schmidt  
 P.E. No. 43409

**RW** BUILDING CONSULTANTS, INC.  
 P.O. Box 230, Valrico, FL 33595  
 Phone No.: 813.659.9197  
 FBPE Registry No. 9813

PRODUCT: THERMA-TRU  
 FIBERGLASS DOOR

PART OR ASSEMBLY:  
 HORIZONTAL & VERTICAL  
 SECTIONS (DIRECT TO MASONRY)

NO.	DATE	REVISIONS
4	8/22/23	UPDATE TO 8TH ED. (2023) FBC LFS
3	7/15/20	UPDATE TO 7th ED (2020) FBC PO
2	10/09/18	REV. DOOR PANEL OPTION NOTE
1	11/15/17	RECESSED PANEL NOTATION

DATE: 12/19/16

SCALE: N.T.S.

DWG. BY: JK

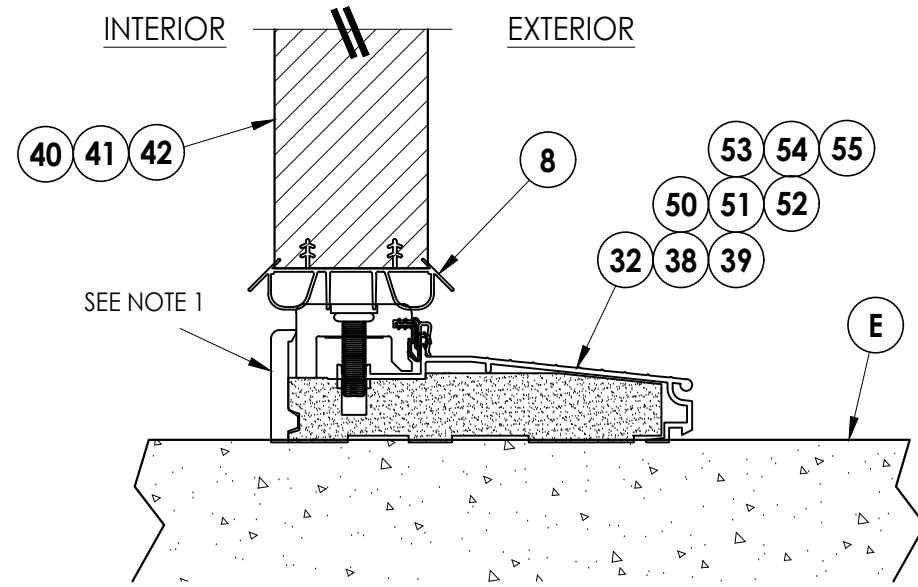
CHK. BY: LFS

DRAWING NO.:  
 FL-21138.1

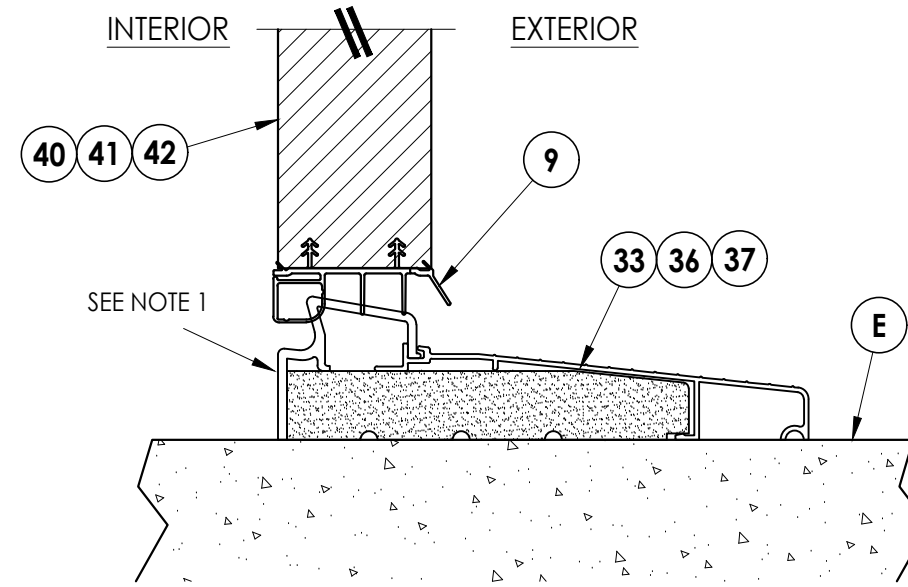
SHEET 6 OF 11

Notes:

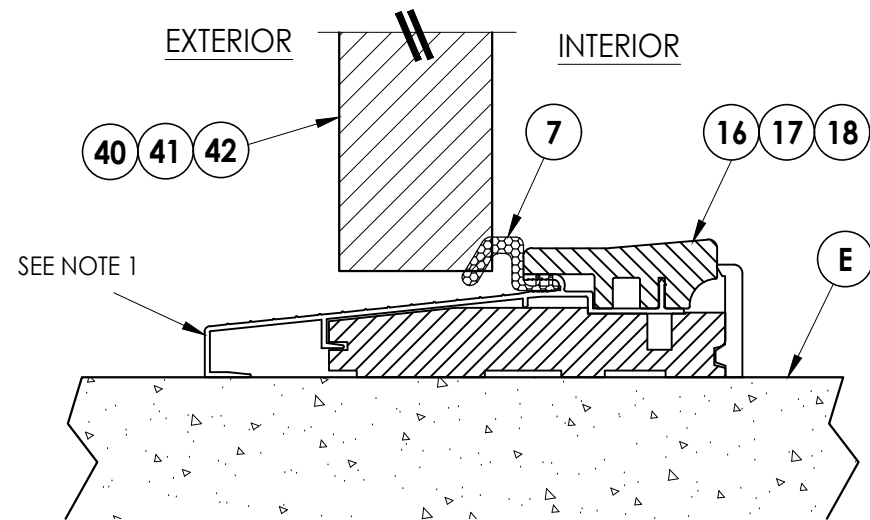
- Sill Item #'s 16, 32, 33, 36, 37, 38, 39, 50, 51, 52, 53, 54 & 55 are attached to jambs w/ (3) #8 X 2-1/2" pfh screws or (3) 2.5" staples at each end.
- Sill Item #'s 17 & 18 are attached to jambs w/ (2) #8 X 2-1/2" pfh screws at each end.
- Sill Item #15 is attached to jambs utilizing (2) #10 X 2" pph SMS screws at each end.



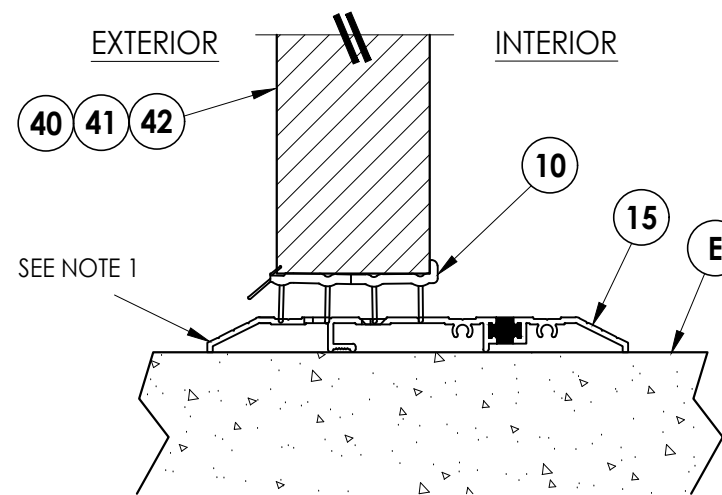
**1** VERTICAL CROSS SECTION  
7 Inswing Sill



**2** VERTICAL CROSS SECTION  
7 Inswing Sill



**3** VERTICAL CROSS SECTION  
7 Outswing Sill



**4** VERTICAL CROSS SECTION  
7 Public Access Sill

Documents Prepared By:  
Lyndon F. Schmidt  
P.E. No. 43409

**RW** BUILDING CONSULTANTS, INC.  
P.O. Box 230, Valrico, FL 33595  
Phone No.: 813.659.9197  
FBPE Registry No. 9813

PRODUCT:  
THERMA-TRU  
FIBERGLASS DOOR

PART OR ASSEMBLY:  
VERTICAL CROSS  
SECTIONS (THRESHOLDS)

NO.	DATE	REVISIONS
4	8/22/23	UPDATE TO 8TH ED. (2023) FBC PO
3	7/15/20	UPDATE TO 7th ED. (2020) FBC PO
2	10/09/18	REV. DOOR PANEL OPTION NOTE
1	11/15/17	RECESSED PANEL NOTATION

DATE: 12/19/16

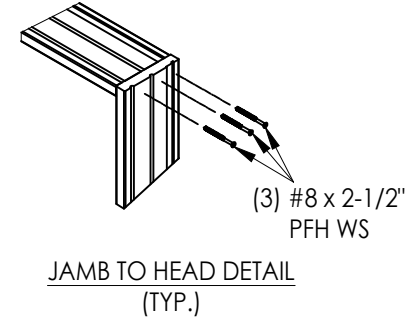
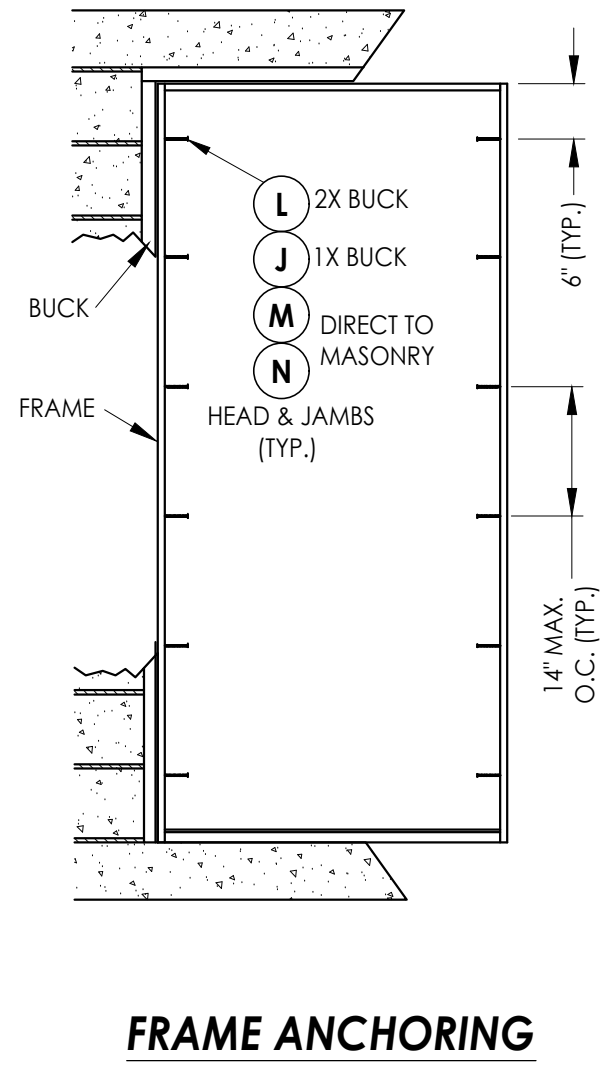
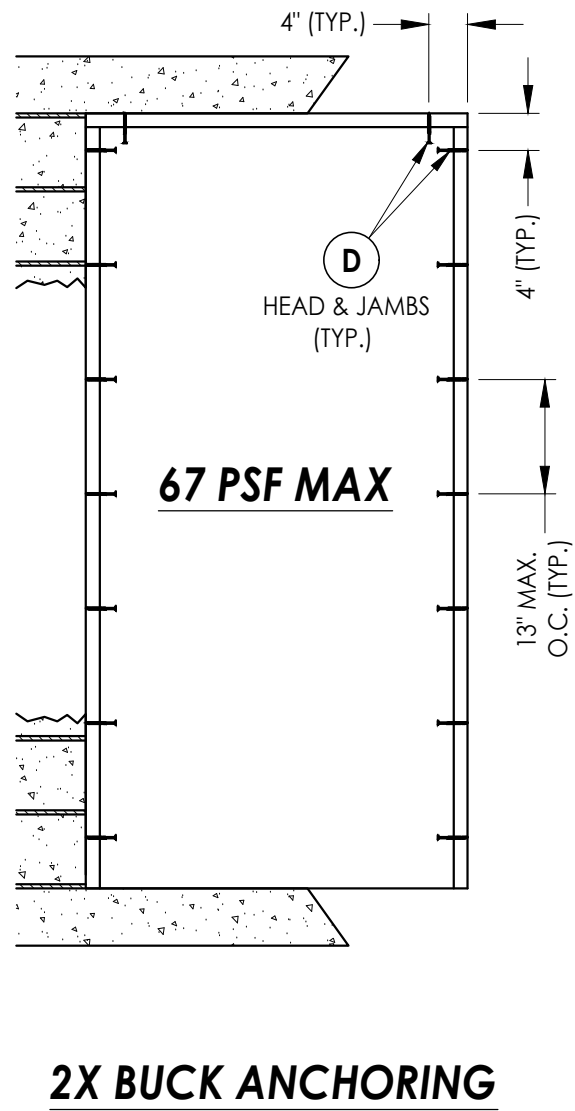
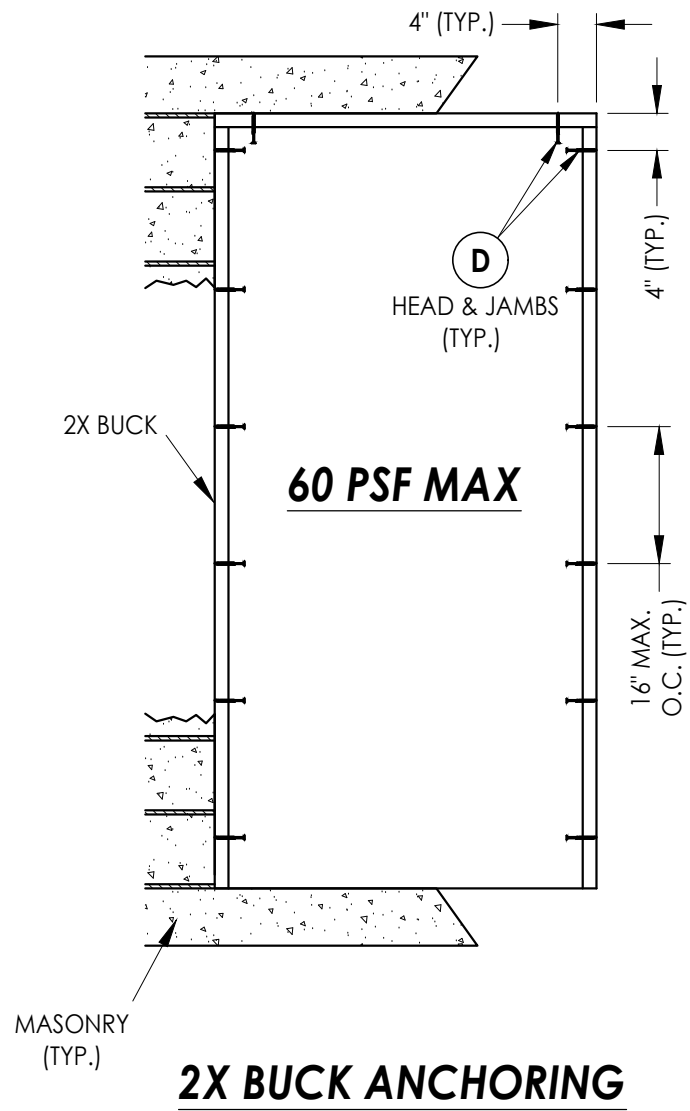
SCALE: N.T.S.

DWG. BY: JK

CHK. BY: LFS

DRAWING NO.: FL-21138.1

SHEET 7 OF 11



Documents Prepared By:  
 Lyndon F. Schmidt  
 P.E. No. 43409

**RW** BUILDING CONSULTANTS, INC.  
 P.O. Box 230, Vairico, FL 33595  
 Phone No.: 813.659.9197  
 FBPE Registry No. 9813

PRODUCT: THERMA-TRU FIBERGLASS DOOR

PART OR ASSEMBLY: BUCK & FRAME ANCHORING

NO.	DATE	REVISIONS
4	8/22/23	UPDATE TO 8TH ED. (2023) FBC LFS
3	7/15/20	UPDATE TO 7th ED (2020) FBC PO
2	10/09/18	REV. DOOR PANEL OPTION NOTE MT
1	11/15/17	RECESSED PANEL NOTATION JK

DATE: 12/19/16

SCALE: N.T.S.

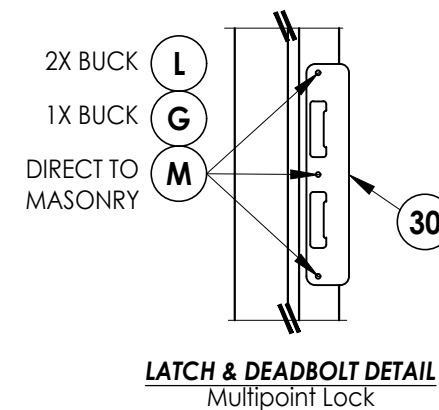
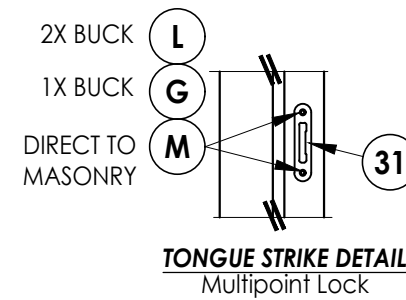
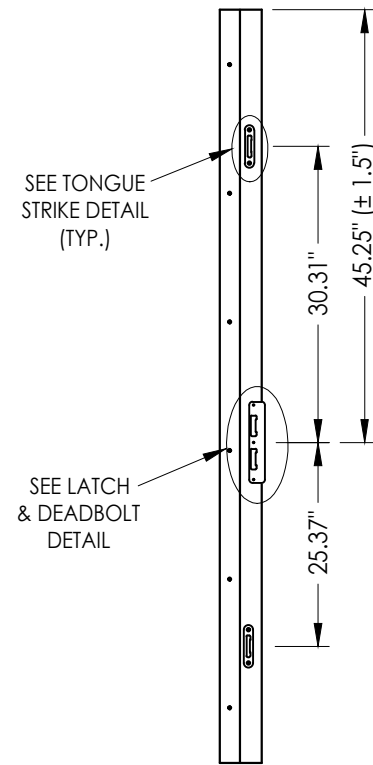
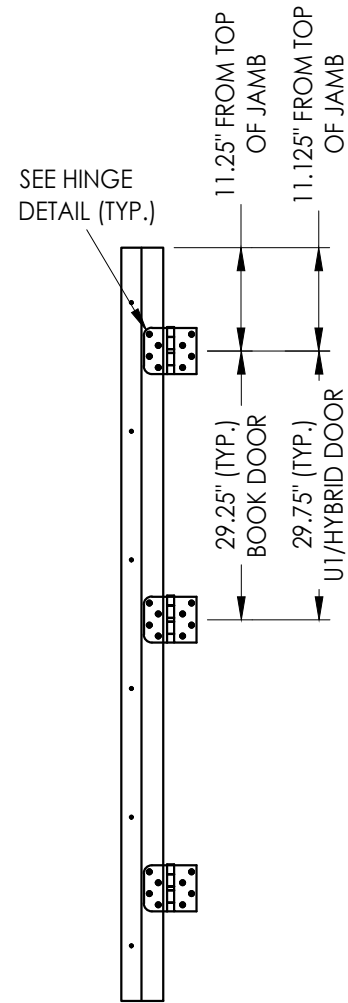
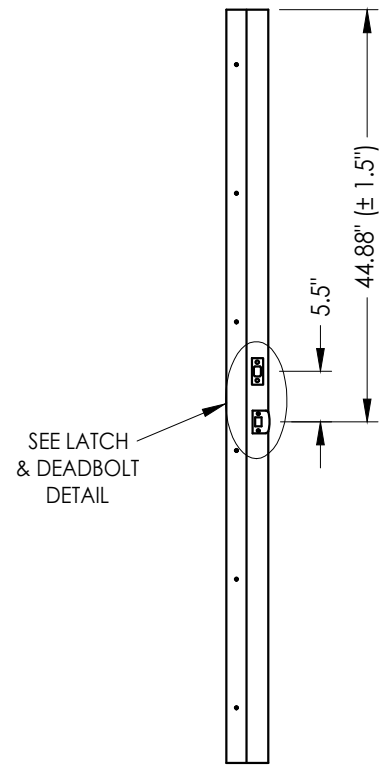
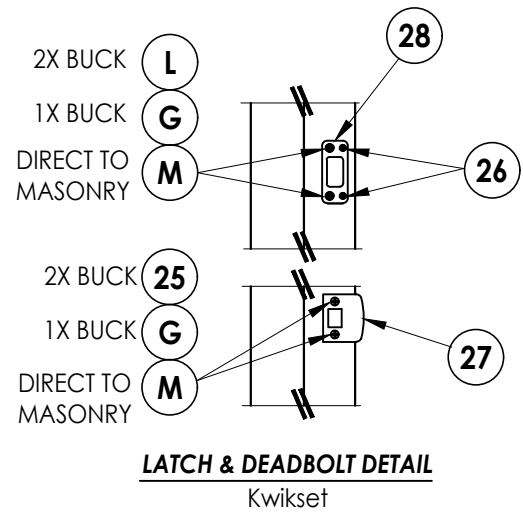
DWG. BY: JK

CHK. BY: LFS

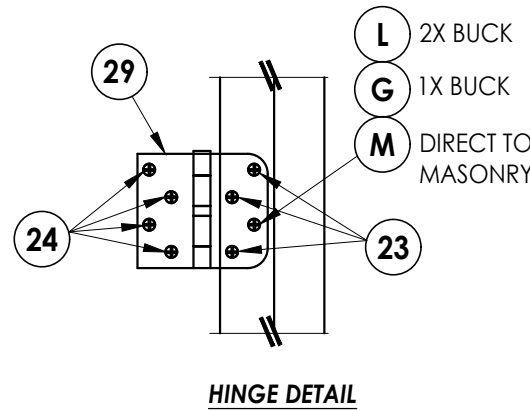
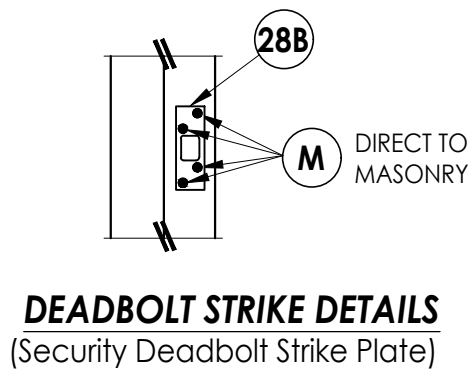
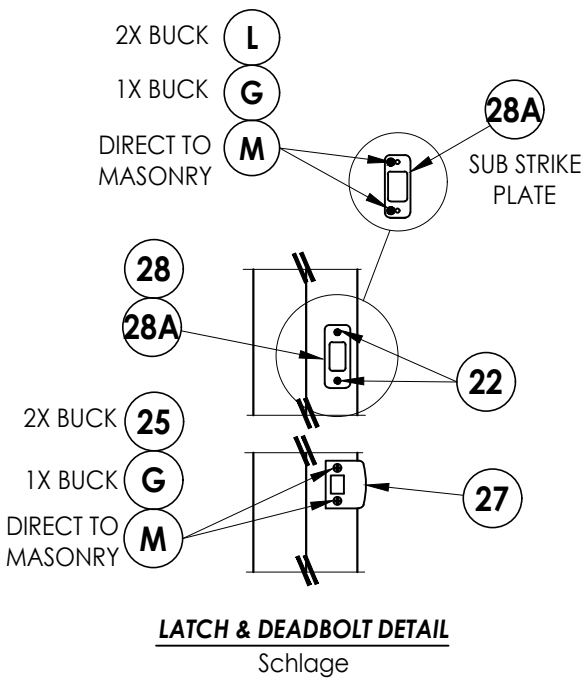
DRAWING NO.: FL-21138.1

SHEET 8 OF 11





**MULTIPOINT LOCK STRIKE DETAILS**



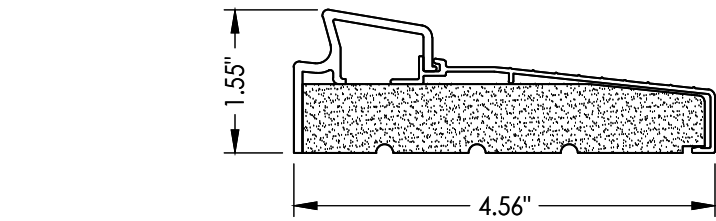
Documents Prepared By:  
Lyndon F. Schmidt  
P.E. No. 43409

**RW** BUILDING CONSULTANTS, INC.  
P.O. Box 230, Valrico, FL 33595  
Phone No.: 813.659.9197  
FBPE Registry No. 9813

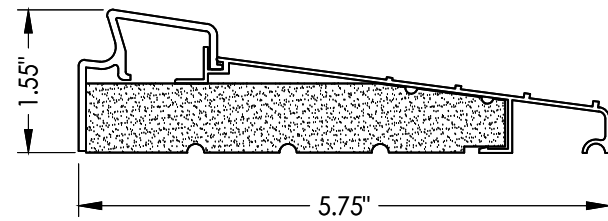
PRODUCT: THERMA-TRU FIBERGLASS DOOR  
PART OR ASSEMBLY: HARDWARE DETAILS

NO.	DATE	REVISIONS
4	8/22/23	UPDATE TO 8TH ED. (2023) FBC LFS
3	7/15/20	UPDATE TO 7th ED (2020) FBC PO
2	10/09/18	REV. DOOR PANEL OPTION NOTE MT
1	11/15/17	RECESSED PANEL NOTATION JK
		BY

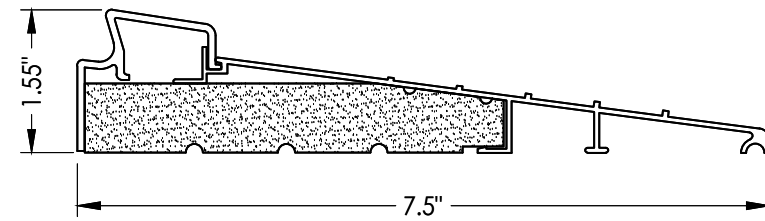
DATE: 12/19/16  
SCALE: N.T.S.  
DWG. BY: JK  
CHK. BY: LFS  
DRAWING NO.: FL-21138.1  
SHEET 9 OF 11



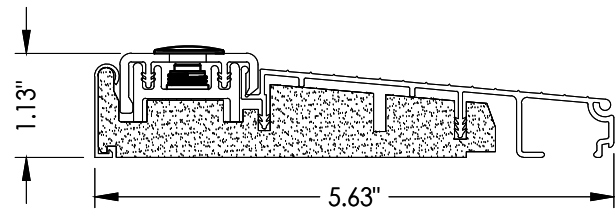
**33 INSWING THRESHOLD**  
Inswing Basic Fixed Sill



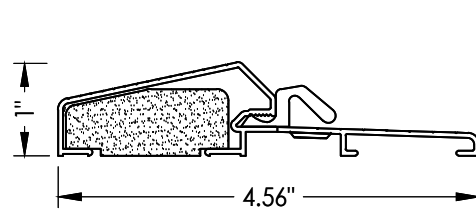
**36 INSWING THRESHOLD**  
Inswing Basic Fixed 5-3/4" Sill



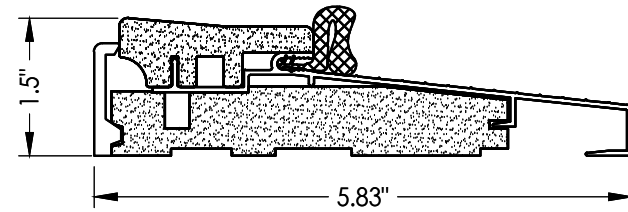
**37 INSWING THRESHOLD**  
Inswing Basic Fixed 7-1/2" Sill



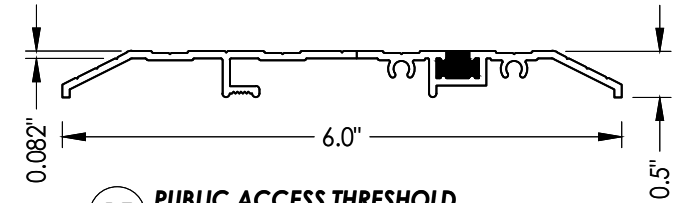
**39 INSWING THRESHOLD**  
Inswing Composite Adjustable Sill



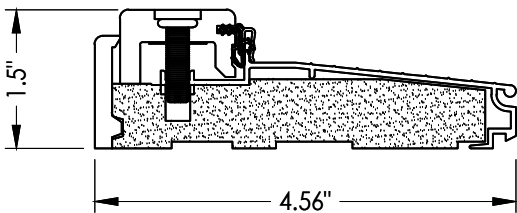
**17 OUTSWING THRESHOLD**  
Composite / Aluminum Sill



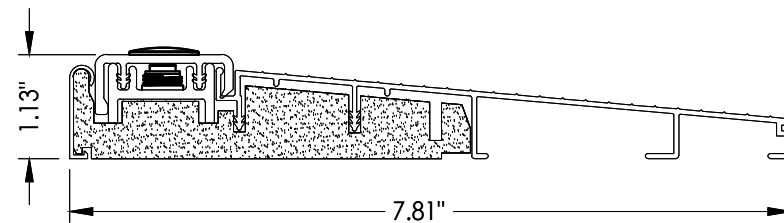
**16 OUTSWING THRESHOLD\***  
Composite / Aluminum Sill



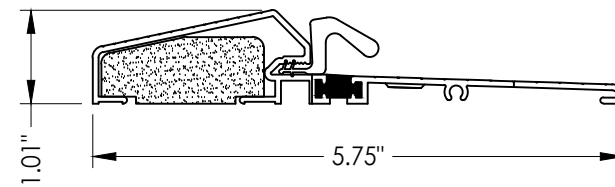
**15 PUBLIC ACCESS THRESHOLD**



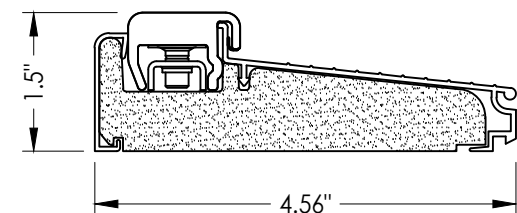
**38 INSWING THRESHOLD**  
Inswing Composite Adjustable Sill



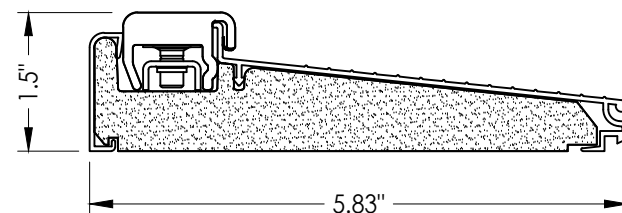
**32 INSWING THRESHOLD**  
Inswing Composite Adjustable 7-3/4" Sill



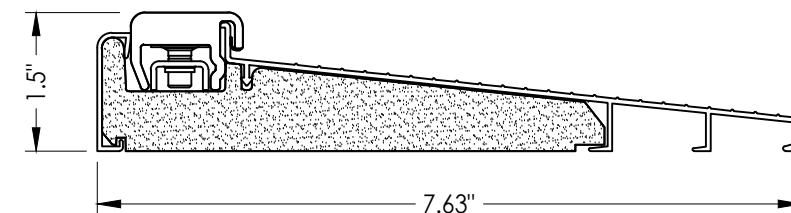
**18 OUTSWING THRESHOLD**  
Composite / Aluminum Sill  
(Thermal Break)



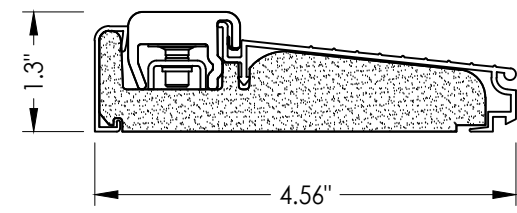
**50 INSWING THRESHOLD**  
Inswing Composite Adjustable Sill  
Book, Hybrid



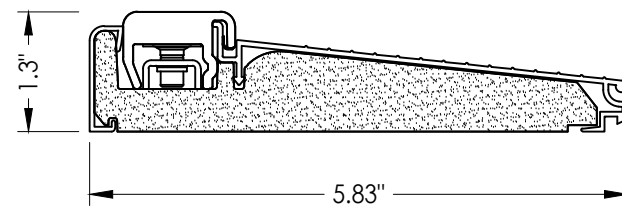
**51 INSWING THRESHOLD**  
Inswing Composite Adjustable Sill  
Book, Hybrid



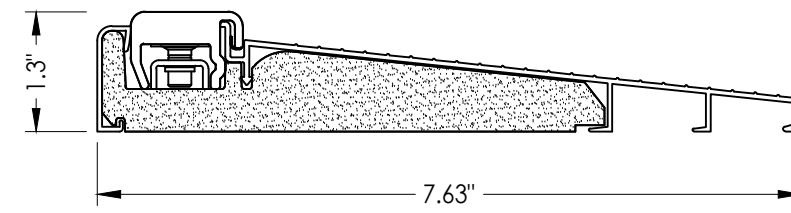
**52 INSWING THRESHOLD**  
Inswing Composite Adjustable Sill  
Book, Hybrid



**53 INSWING THRESHOLD**  
Inswing Composite Adjustable Sill  
U1



**54 INSWING THRESHOLD**  
Inswing Composite Adjustable Sill  
U1



**55 INSWING THRESHOLD**  
Inswing Composite Adjustable Sill  
U1

Documents Prepared By:  
Lyndon F. Schmidt  
P.E. No. 43409

**RW** BUILDING CONSULTANTS, INC.  
P.O. Box 230, Vairico, FL 33595  
Phone No.: 813.659.9197  
FBPE Registry No. 9813

PRODUCT:  
THERMA-TRU  
FIBERGLASS DOOR

PART OR ASSEMBLY:

COMPONENTS

NO	DATE	REVISIONS	BY
4	8/22/23	UPDATE TO 8TH ED. (2023) FBC	LFS
3	7/15/20	UPDATE TO 7th ED (2020) FBC	PO
2	10/09/18	REV. DOOR PANEL OPTION NOTE	MT
1	11/15/17	RECESSED PANEL NOTATION	JK

DATE: 12/19/16

SCALE: N.T.S.

DWG. BY: JK

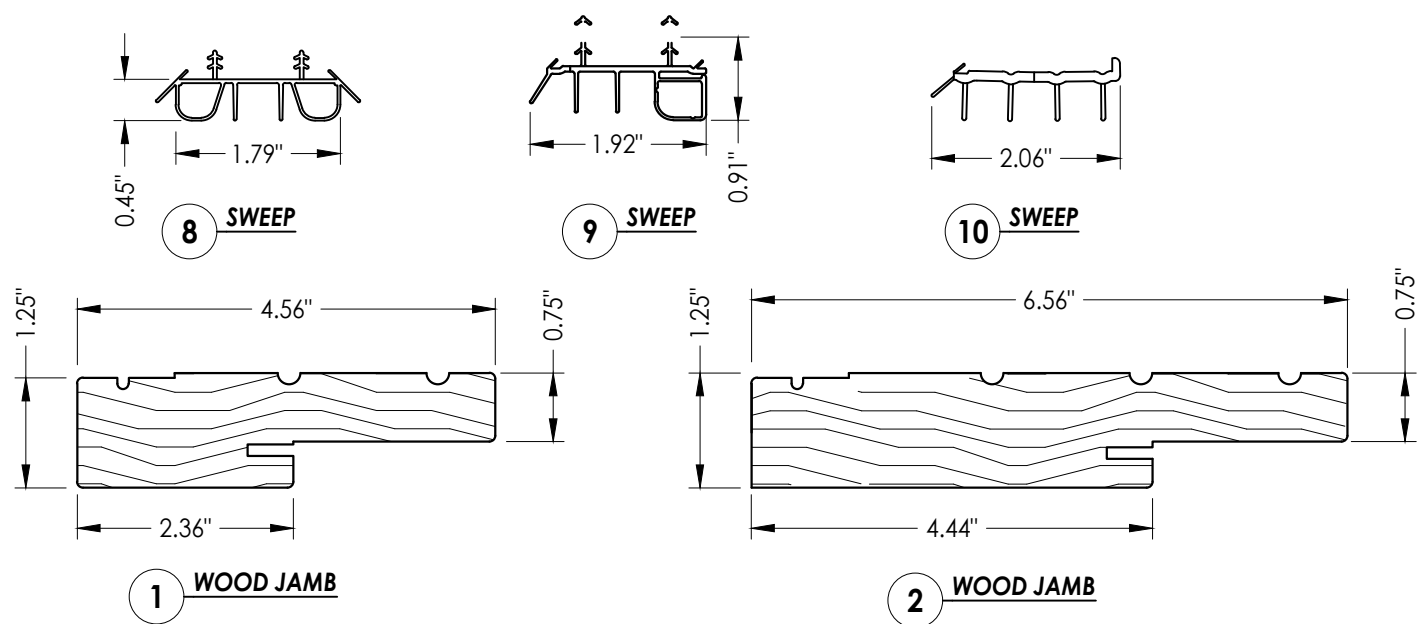
CHK. BY: LFS

DRAWING NO.: FL-21138.1

SHEET 10 OF 11

BILL OF MATERIALS		
ITEM #	DESCRIPTION	MATERIAL
A	1X BUCK (SG >= 0.42)	WOOD
B	2X BUCK (SG >= 0.42)	WOOD
C	1/4" MAX. SHIM SPACE	-
D	1/4" X 2-3/4" PFH DeWALT OR ITW CONCRETE SCREW	STEEL
E	MASONRY - 3,000 PSI MIN. CONCRETE CONFORMING TO ACI 301 OR HOLLOW BLOCK CONFORMING TO ASTM C90	CONCRETE
G	3/16" X 3-1/4" ITW CONCRETE SCREW	STEEL
J	1/4" X 3-3/4" PFH DeWALT OR ITW CONCRETE SCREW	STEEL
L	#10 X 2-1/2" PFH WOOD SCREW (1.15" MIN. EMBEDMENT)	STEEL
M	3/16" X 2-1/4" ITW CONCRETE SCREW	STEEL
N	3/16" X 2-3/4" ITW CONCRETE SCREW	STEEL
1	JAMB (FINGER JOINT PINE )	WOOD
2	JAMB (FINGER JOINT PINE )	WOOD
6	WEATHERSTRIP (MEDIUM REACH)	FOAM
7	WEATHERSTRIP (LONG REACH)	FOAM
8	SWEEP	VINYL
9	SWEEP	VINYL
10	SWEEP (USE w/ PUBLIC ACCESS THRESHOLD)	VINYL
15	PUBLIC ACCESS THRESHOLD	ALUM
16	OUTSWING THRESHOLD	ALUM/COMP
17	OUTSWING THRESHOLD	ALUM/COMP
18	OUTSWING THRESHOLD	ALUM/COMP
22	#8 x 3/4" PFH WOOD SCREW	STEEL
23	#10 x 3/4" PFH WOOD SCREW	STEEL
24	#10 x 1" PFH WOOD SCREW	STEEL
25	#8 x 2-1/2" PFH WOOD SCREW	STEEL

BILL OF MATERIALS		
ITEM #	DESCRIPTION	MATERIAL
26	#8 x 5/8" PFH WOOD SCREW	STEEL
27	LATCH STRIKE PLATE	STEEL
28	DEADBOLT STRIKE PLATE (STANDARD)	STEEL
28A	DEADBOLT SUB STRIKE PLATE	STEEL
28B	DEADBOLT STRIKE PLATE (SECURITY)	STEEL
29	4" X 4" HINGE	STEEL
30	LATCH & DEADBOLT STRIKE PLATE (TONGUE SYSTEM)	ALUM/COMP
31	MULTIPOINT STRIKE PLATE (TONGUE SYSTEM)	ALUM/COMP
32	INSWING THRESHOLD	ALUM/COMP
33	INSWING THRESHOLD	ALUM/COMP
36	INSWING THRESHOLD	ALUM/COMP
37	INSWING THRESHOLD	ALUM/COMP
38	INSWING THRESHOLD	ALUM/COMP
39	INSWING THRESHOLD	ALUM/COMP
40	DOOR PANEL (BOOK)	-
41	DOOR PANEL (HYBRID)	-
42	DOOR PANEL (U1)	-
50	INSWING THRESHOLD	ALUM/COMP
51	INSWING THRESHOLD	ALUM/COMP
52	INSWING THRESHOLD	ALUM/COMP
53	INSWING THRESHOLD	ALUM/COMP
54	INSWING THRESHOLD	ALUM/COMP
55	INSWING THRESHOLD	ALUM/COMP



**CONCRETE ANCHOR NOTES:**

- Concrete anchor locations at the corners may be adjusted to maintain the min. edge distance to mortar joints.
- Concrete anchor locations noted as "MAX. ON CENTER" must be adjusted to maintain the min. edge distance to mortar joints, additional concrete anchors may be required to ensure the "MAX. ON CENTER" dimension are not exceeded.
- Concrete anchor table:

ANCHOR TYPE	ANCHOR SIZE	MIN. EMBEDMENT	MIN. CLEARANCE TO MASONRY EDGE	MIN. CLEARANCE TO ADJACENT ANCHOR
ITW TAPCON®	1/4"	1-1/4"	2"	4"
DeWALT ULTRACON+®	1/4"	1-1/4"	1"	4"
ITW TAPCON®	3/16"	1-1/4"	AS SHOWN	1-1/2"

**WOOD SCREW INSTALLATION NOTES:**

- Maintain a minimum 5/8" edge distance, 1" end distance, & 1" o.c. spacing of wood screws to prevent the splitting of wood.

Documents Prepared By:  
Lyndon F. Schmidt  
P.E. No. 43409

**R.W.** BUILDING CONSULTANTS, INC.  
P.O. Box 230, Valrico, FL 33595  
Phone No.: 813.659.9197  
FBPE Registry No. 9813

PRODUCT:  
THERMA-TRU  
FIBERGLASS DOOR

PART OR ASSEMBLY:  
COMPONENTS &  
BILL OF MATERIALS

		UPDATE TO 8TH ED. (2023) FBC	REVISIONS
	LFS	PO	MT
4	8/22/23	UPDATE TO 8TH ED. (2023) FBC	
3	7/15/20	UPDATE TO 7th ED (2020) FBC	
2	10/09/18	REV. DOOR PANEL OPTION NOTE	
1	11/15/17	RECESSED PANEL NOTATION	
	NO. DATE		

DATE: 12/19/16  
SCALE: N.T.S.  
DWG. BY: JK  
CHK. BY: LFS  
DRAWING NO.: FL-21138.1  
SHEET 11 OF 11